

Optimize operating procedures, selling processes and interaction with the customer with your individual K3 solution. The multi-touch display with new GUI allows easy and intuitive operation. The modular concept and smart IoT technologies set new industry standards. Remain flexible for the long-term with your K3 solution and benefit from maximum investment reliability.



More information
High performance
with a wide range of
solutions and options.

| Specifications | Facts | Details |
|-------------------------|---|---|
| Variants | <p>K3 100 - Counter top scale (optional: counter top scale with remote/ raised display)</p> <p>K3 800 - Counter scale or self-service scale</p> <p>K3 400 - Hanging scale</p> <p>K3 Flex - Separate version</p> | <p>Operator display: 12.1"</p> <p>Customer display: Without/7"/12.1"</p> <p>Operator display: 12.1"/15.6"</p> <p>Customer display: Without/7"/12.1"/15.6"</p> <p>Operator display: 12.1"/15.6"</p> <p>Customer display: Without/7"/12.1"/15.6"</p> <p>Operator display: 12.1"/15.6"</p> <p>Customer display: Without/7"/12.1"/15.6"</p> |
| Color | <p>Column silver-gray, powder-coated casting</p> <p>Displays, printer and basic module signal black</p> | RAL 9004 |
| Operating system | <p>Windows® 10 IoT Enterprise 2019 LTSC</p> <p>Linux OpenSuse® Leap ≥15.1 64 bit Kernel 4.12</p> | <p>64 bit Windows</p> <p>64 bit Linux</p> |
| Device software | <p>RetailStore</p> <p>RetailBridge</p> | <p>Bizerba device software</p> <p>3rd-party software</p> |
| Processor | <p>Intel® Atom x5 processor E3940</p> <p>Quad Core</p> | <p>Clock rate of up to 1.80 GHz</p> <p>L2 cache: 2 MB</p> <p>Instruction set: 64 bit</p> <p>Integrated graphics card: Intel® HD Graphics 500</p> <p>Fanless cooled</p> |
| Working memory | DDR3L RAM | 4 GB, optionally 8 GB |
| Mass memory | SSD | 64 GB, optionally 128 GB |
| Operator display | <p>12.1" TFT display with PCAP (capacitive) touch screen</p> <p>15.6" TFT display with PCAP (capacitive) touch screen</p> | <p>Resolution: 1,280 x 800 (16:10), WXGA</p> <p>Resolution: 1,366 x 768 (16:9), HD Wide</p> <p>LED backlighting, antireflective glass surface</p> <p>Infinitely adjustable viewing angle</p> |
| Customer display | <p>7" TFT display</p> <p>12.1" TFT display</p> <p>15.6" TFT display</p> <p>All optional with PCAP (capacitive) touch screen</p> | <p>Resolution: 800 x 480 (5:3), WVGA</p> <p>Resolution: 1,280 x 800 (16:10), WXGA</p> <p>Resolution: 1,366 x 768 (16:9), HD Wide</p> <p>LED backlighting, antireflective glass surface</p> <p>Optional: Infinitely adjustable viewing angle</p> |

| | | |
|---|--|---|
| Printer | 3" receipt/linerless printer with auto-cutter 3" receipt/label printer For 800 model optionally two printers: 3" receipt/linerless printer with auto-cutter + 3" receipt/label printer | Paper roll width: 37-80 mm, flexibly adjustable Print width: 78 mm Print resolution: 8 dots/mm (203 dpi) Roll diameter: – Model K3 800: Max. 105 mm – Model K3 100: Max. 150 mm Print speed: Max. 250 mm/s depending on paper used Linerless auto-cutter properties (depending on linerless quality & amount of adhesive) Service life: More than 500,000 cuts without lubricants |
| Interfaces | 1 x USB 3.0 type A 3 x USB 2.0 type A LAN 1 x RJ12 | Super speed High speed Ethernet RJ45 10/100/1,000 MBit/s For connection to cash register drawer |
| Weighing ranges | Model without scale function 3/6 kg 6/15 kg 3/6/15 kg 15/30 kg 15/30 lb 30 lb 60 lb 30/60 lb Easy Level tilt compensation | No weighing function Scale interval 1/2 g, minimum load 20 g Scale interval 2/5 g, minimum load 40 g Scale interval 1/2/5 g, minimum load 20 g Scale interval 5/10 g, minimum load 100 g Scale interval 0.005/0.01 lb, minimum load 0.1 lb Scale interval 0.01 lb, minimum load 0.2 lb Scale interval 0.02 lb, minimum load 0.04 lb Scale interval 0.01/0.02 lb, minimum load 0.10 lb Automatic correction of incorrect weight values due to scale's angled position of up to 2° |
| Temperature range & humidity | -10 °C to +40 °C Max. 90 % | Operating temperature Relative humidity |
| Power consumption | Voltage: 120 - 240 V, 47/63 Hz Operation (12.1" operator display / 7" customer display): ≤ 33 W Stand-by: ≤ 1.5 W | Performance depending on configuration Energy saving with Wake on LAN (WoL) |
| Net weight of device | 17 kg (model K3 100 with 12.1"/12.1") 21 kg (model K3 800 with 15.6"/15.6") | Weight depending on configuration |

Options

Software extensions

Facts

RetailApps
Software modules: Cash register, scanning, e-cash, inventory, delivery note, proof of origin, time registration, video journal, Retail-Connect

Management software RetailControl

Details

Extra software function per RetailApps
Extra software functions per module

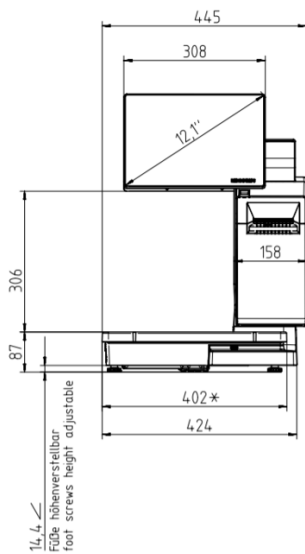
Additional software in order to track and manage devices, data and updates

| | | |
|--|--|--|
| Security | UEFI BIOS with Secure Boot | |
| | WoL FUNCTIONALITY | Wake on Lan |
| | Remote Disaster Recovery mode | |
| | Password protected menu access | |
| Monitoring | Monitoring static and dynamic values of various components | E.g. number of cuts, voltage drops of the CPU, operating hours counter for display backlighting etc. |
| Connection of external components | Connection external additional printer | With other paper type/other label layout |
| | Connection cash register drawer | RJ12, connection of up to two cash register drawers with adapter possible |

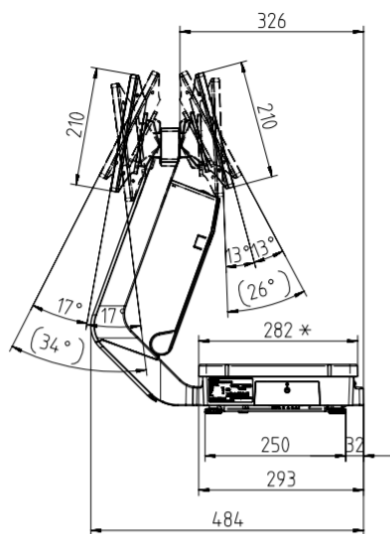
Infografik



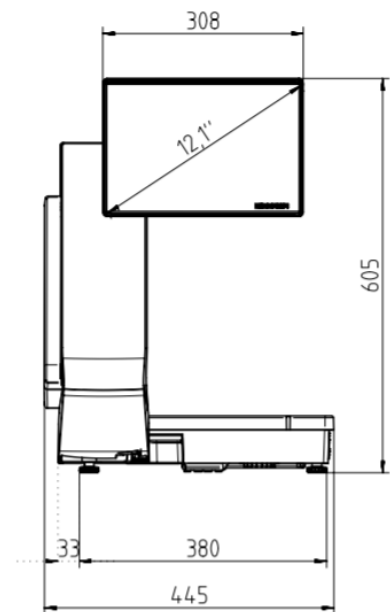
Dimensional drawings



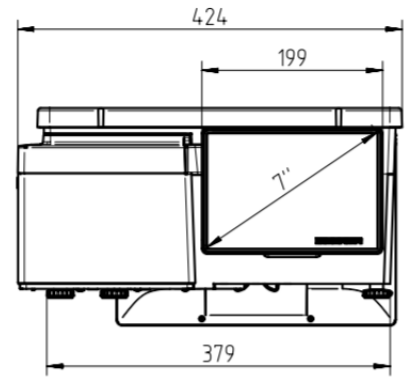
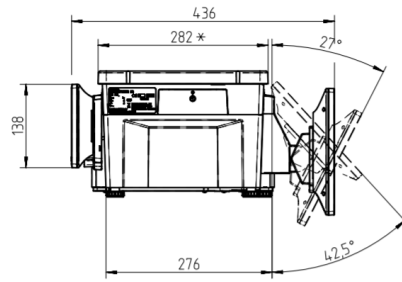
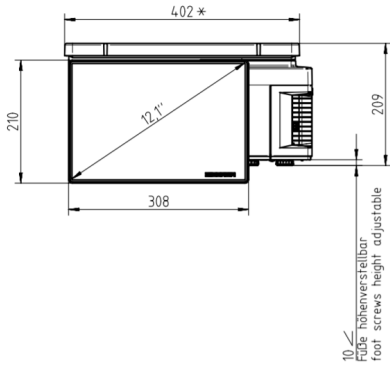
K3 800 -12.1" operator display



K3 800 - side view



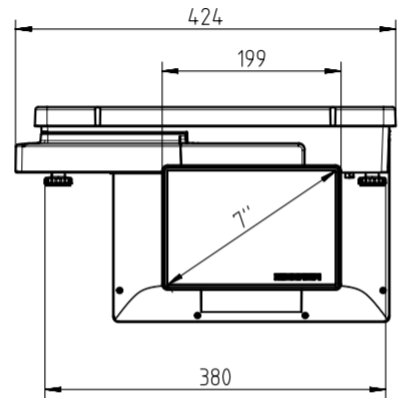
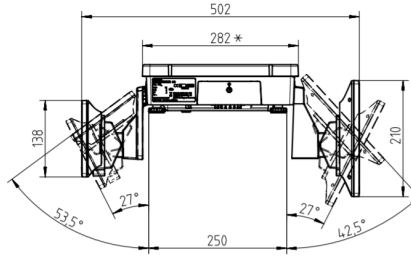
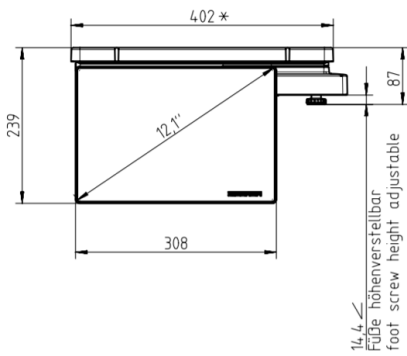
K3 800 - 12.1" customer display



K3 100 - 12.1" operator display

K3 100 - sidw view

K3 100 - 7" customer display



K3 100 flat - 12.1" operator display

K3 100 flat - side view

K3 100 flat - 7" customer display

Bizerba SE & Co. KG
 Wilhelm-Kraut-StraÙe 65
 72336 Balingen

T +49 7433 12-0
 fax: +49 7433 12-2696
 marketing@bizerba.com

www.bizerba.com