

Q1

The innovative retail scale Q1 is ideally suitable for assisted sales, self-service and price labeling. A capacitive touch screen with intuitive GUI allows easy and efficient use of the Q1. The particularly flat load platter provides customers with an optimal view of the products. Thanks to a sleek design, your team has unhindered access to the products in the deli counter.



More information
High performance
with a wide range of
solutions and options.

Specifications	Facts	Details
Variants	Q1 800 - counter scale or self-service scale	Operator display: 10" Customer display: Without/7"
	Q1 100 - counter top scale	Operator display: 10" Customer display: Without/7"
	QBase	As external load receptor, via USB
Color	Signal black	RAL 9004
Operating system	Linux Debian 10 64 bit Kernel	64 bit Linux
Device software	RetailStore	Bizerba device software
Processor	Rockchip RK3399 (hexa-core)	Dual-core Cortex-A72 up to 1.8 GHz; Quad-core Cortex A53 up to 1.4 GHz
Working memory	RAM	2 GB
Mass memory	EMMC	16 GB
	Micro SD Card (option)	Up to 128 GB
Operator display	10" display with touch screen (capacitive)	– Resolution: 1024x600 – Infinitely adjustable viewing angle (adjustment range see dimensional drawing) – Antireflective glass – Can be operated with gloves
Customer display	7" display	– Resolution: 800x480 – Infinitely adjustable viewing angle (adjustment range see dimensional drawing)
2" receipt/linerless printer or 2" receipt/label printer	Print speed	– Max. 100 mm/s
	Roll diameter	– Standard 105 mm – Max. 120 mm possible
	Roll width	– Max. 58 mm
Interfaces	1 x USB 3.0 type A	Super speed
	2 x USB 2.0 type A	High speed
	RJ45	Ethernet LAN 10/100/1,000 MBit/s
	1 RJ12	For connection to cash register drawer
Weighing ranges	3/6 kg	Scale interval 1/2 g, minimum load 20 g
	6 kg	Scale interval 1 g (Italy), minimum load 20 g
	12 kg	Scale interval 2 g (Italy), minimum load 40 g
	6/15 kg	Scale interval 2/5 g, minimum load 40 g
	15/30 kg	Scale interval 5/10 g, minimum load 100 g
	30 kg	Scale interval 5 g, minimum load 100 g

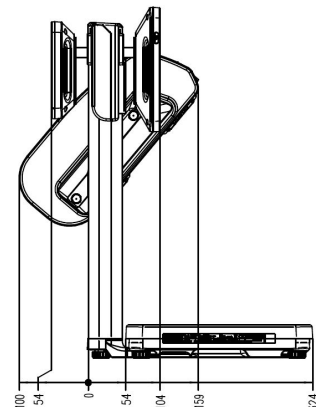
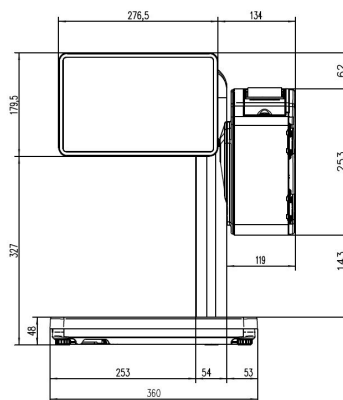
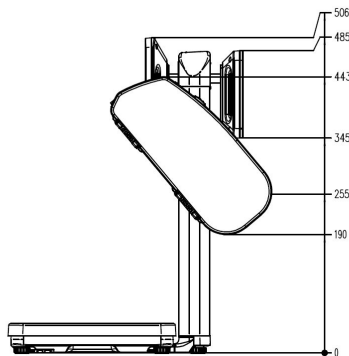
	15/30 lb	Scale interval 0.005 lb, 0.01 lb (USA), minimum load 0.1 lb
	60 lb	Scale interval 0.01 lb (USA), minimum load 0.2 lb
	60 lb	Scale interval 0.02 lb (USA), minimum load 0.4 lb
Temperature range & humidity	-10 °C to +40°C Max. 90%	Additional weighing ranges up to 150 kg thanks to connection of external load receptors Operating temperature Relative humidity (non-condensing)
Power supply	120-240 V	Energy-saving mode with Wake-on-LAN/WLAN for energy saving
Power consumption	In operation: 12 W	With RetailStore in operation, without additional consumers (e.g. printer)
Net weight (without packaging)	14.4 kg 13.6 kg	Q1 100 Q1 800

Options	Facts	Details
WLAN module	Optional and retrofittable	Frequency range: 2.4 GHz - 5 GHz
Software extensions	RetailApps	Extra software function per RetailApps
Software modules	Software modules: Cash register, scanning, e-cash, inventory, delivery note, proof of origin, time recording, video journal, RetailConnect, totals QR code	Extra software functions per module
Management software	RetailControl	Additional software in order to track and manage devices, data and updates

Info graphics



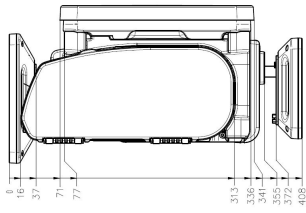
Dimensional drawings



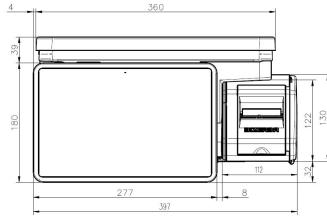
Q1 800 side view, right

Q1 800 Front

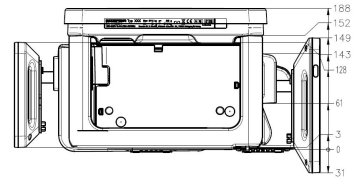
Q1 800 side view, left



Q1 100 side view, right



Q1 100 front



Q1 100 side view, left

Bizerba SE & Co. KG
Wilhelm-Kraut-Straße 65
72336 Balingen

T +49 7433 12-0
fax: +49 7433 12-2696
marketing@bizerba.com

www.bizerba.com